

Clay roof tile becomes heat shield at Four Seasons Hotel with Planet Supra

Business case: May 2010

The Four Seasons Hotel Bangkok (Thailand) tests Planet Supra on clay roof tile, demonstrates up to 26% less heat.



Planet Supra's effectiveness as an insulating material was already familiar to the Four Seasons Hotel since October 2009, when the boilers were coated to improve energy efficiency and working conditions in the boiler room.

This time, it is Planet Supra's ability to reflect solar radiations that was put to the test. A spare clay roof tile was coated half with Planet Supra (matte finish) and half with Planet Supra Neo (glossy finish). The objective was to measure by how much would the coated tile's ability to keep the building cool be improved.

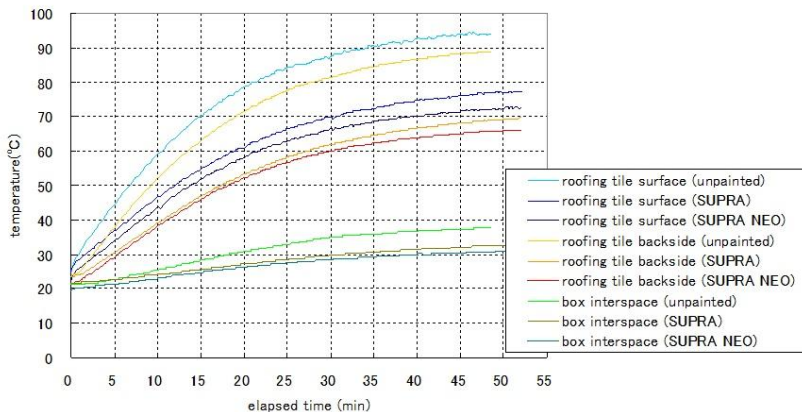
The tests were carried out in the paint manufacturer's laboratory in Tokyo, the results then reported to the Four Season's Chief Engineer.



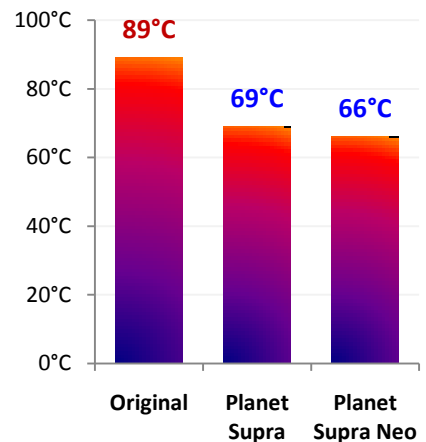
Above: painted clay roof tile.
Left side: Planet Supra
Right side: Planet Supra Neo

Test results:

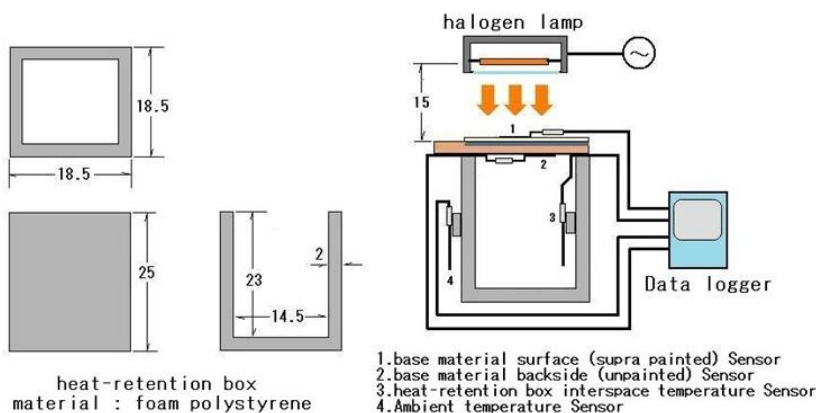
Temperatures recorded during benchmark test



Results summary:



Measurement conditions:



Planet Supra data sheet:

- ✓ nanotechnology, reflects solar radiations
 - ✓ high performance as per JIS R 3106:1998
-
- gapless solar reflectance up to 94.6%
- ✓ certified solution to reduce CO₂ emissions
 - ✓ applicable on most surfaces
 - ✓ non-inflammable, mold-free, crack-free
 - ✓ water-based, VOC-free, 100% eco-friendly
 - ✓ self-cleaning effect, easy-to-clean
 - ✓ unlimited number of colors available